



Features

- IP66 Water & Dust Proof
- Wide Working Temperature Range (-20C-55C)
- Shock & Vibration Resistance
- Isolated Power Design
- Ignition ON/OFF Feature
- Auto Brightness (LCD dimming) Feature
- Programmable Keys Feature



Introduction

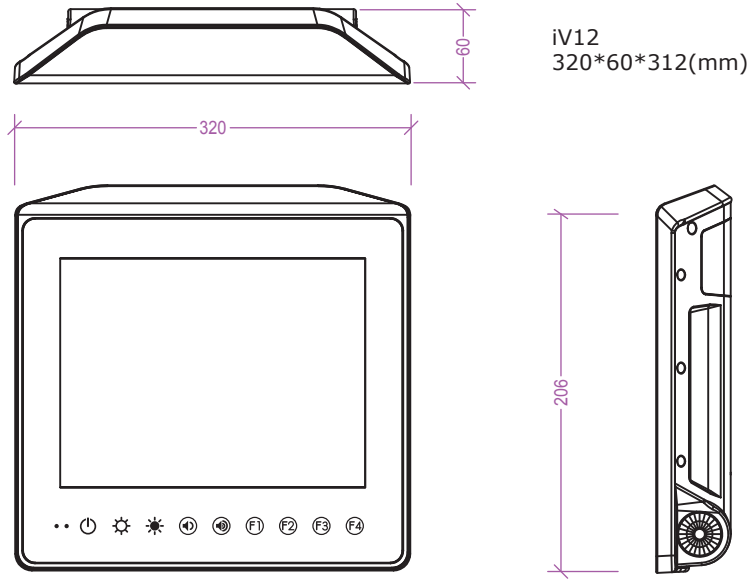
SENROR iV12 (12.1" intelligent Vehicle Computer) comes with a robust, fanless and smart ignition power on/off design. These features provide high stability that is able to withstand shock and vibration on On-Road or Off-Road vehicles such as forklift, buses, cars, and trucks.

Specifications

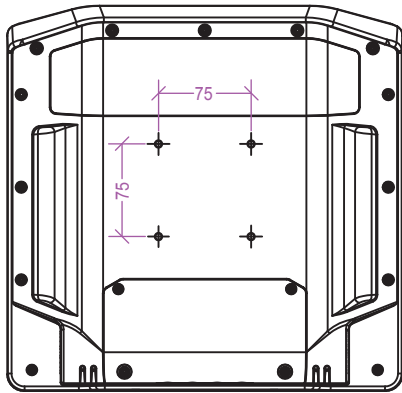
Model NO.	iV12
CPU	Intel E3845 Quad Core, 1.91 GHz
RAM	SO-DIMM x 2, DDR3L-1333, Max. 8GB
Graphics	Intel® HD Graphics
Storage	2.5" Industrial grade SSD
LCD	12.1", 1024x768, 600 cd/m ²
Touch	PCT, Anti-Glare Optional sunlight filter
OS	Windows 7, Windows 10 IoT
Power	24 VDC (10-36VDC, isolation Voltage 1500VDC, Input Polarity Protection)
LAN port	2 (10/100/1000 Mbps)
USB port (Rear)	USB 2.0 x 1, USB 3.0 x 1
Display port	1
Sound	Stereo speakers
Serial port	COM1 (RS232/RS422/RS485 select by BIOS) Optional COM2 (RS232)
Function Keys	6 Keys ^{#1} #1 Brightness buttons can become programmable keys while ambient light sensor in BIOS is enabled.
Optional Feature	
WLAN/Bluetooth	802.11 a/b/g/n/ac, 2x2 MIMO, Bluetooth 4.1
RFID reader	13.56MHz, Mifare ISO 14443A
External antenna	2
CANbus Port	1 (Isolated CANbus 2.0B)
Mechanical & Environment	
Dimensions & Weight	320(W) x 312(H) x 60(D) mm, 5 Kg
Power Consumption	Typical 35 W
Storage Temperature	-20°C~60°C
Operating Temperature	-20°C~55°C
Relative Humidity	20%~80% (non-condensing)
IP rating	IP66
Shock and Vibration	EN 60721-3-5 (06.1998), Class 5M3 (5h of noise type vibrations; 3.6g rms and 30g peak value) MIL - STD 810F (01.2000) Annex C. Fig 514.5C (US Highway Truck Transportation)
ESD	EN 55024:2010 (enhanced ESD to 8kV direct and 15kV air)
Regulation	EN 60950-1, CE/FCC Class A

Dimensions

Unit: mm



VESA 75*75mm



I/O placement

